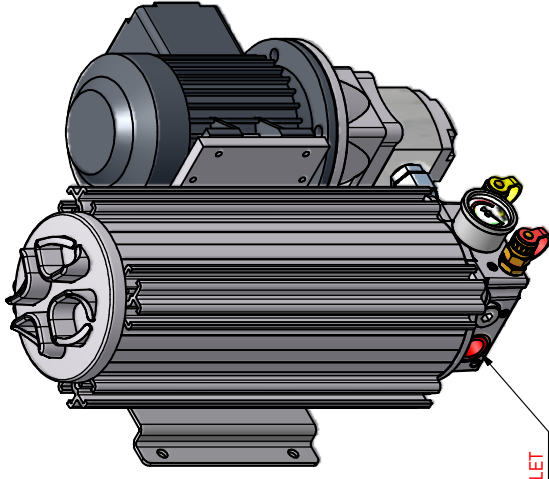
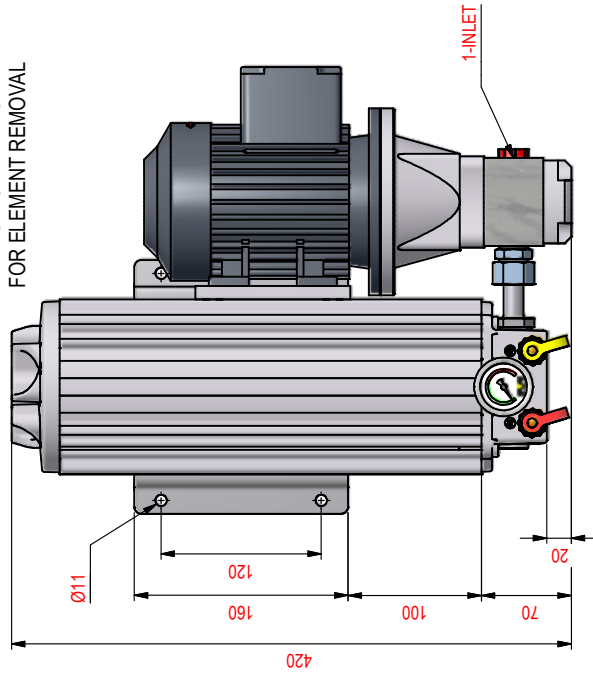


MODEL ( 1 : 4 )



400MM

MINIMUM CLEARANCE FOR ELEMENT REMOVAL



2	1	OUTLET	G1/2" - BSP	Female	
1	1	INLET	G3/8" - BSP	Female	
Pos	Qty	Description	Size	Material	Remarks

**BRUNNEN**  
S Y S T E M S  
Website : WWW.BRMFILTER.COM

Revision	Date	Description	Name
DOCUMENT TITLE			
RMF OLU1A30HB0000			
RMF-OFF LINE UNIT			
ARTICLE NUMBER	DRAWING NUMBER	REVISION	
9317526	A3--9-294-12124		
Checked date	Checked by	Checked date	Checked by
PROJECTION			
DIMENSIONAL TOLERANCE ACCORDING TO ISO 2768H / NEN 2865			
SCALE : 1:1			

